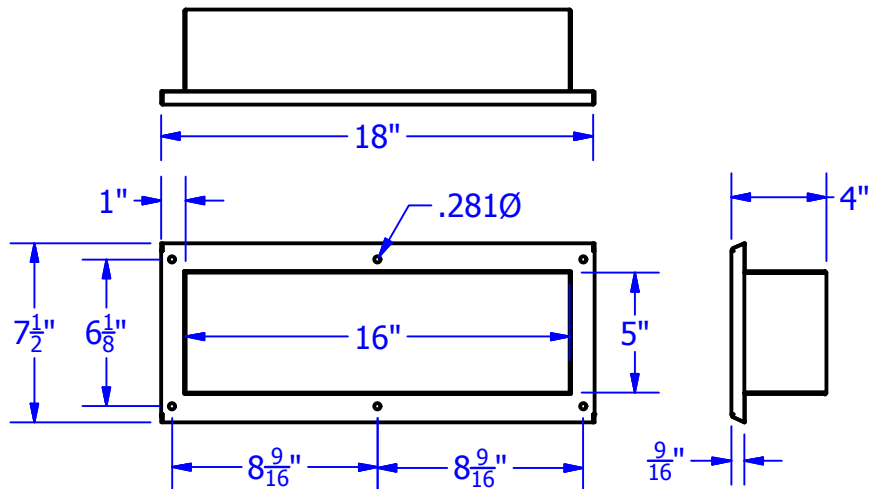
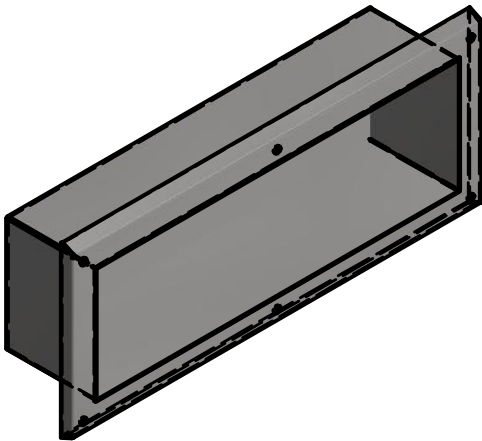




Technical Data Sheet

S-4090-SS

EXPOSED MOUNT RECESSED SECURITY SHELF



DATA CURRENT AS OF: 6/19/2012

CONSTRUCTION: FABRICATED FROM 16 GAUGE TYPE 304 STAINLESS STEEL.
ONE PIECE FULLY WELDED CONSTRUCTION.
ALL CORNERS GROUND SMOOTH.
(6) .265 Ø MOUNTING HOLES FOR THE SUPPLIED
1/4"-20 X 1 1/2" LONG PIN IN TORX SECURITY SCREWS.
FINISH: #4 FINISH.

INSTALLATION: USE SHELF AS TEMPLATE TO MARK AND LOCATE MOUNTING HOLES.
FASTEN TO WALL USING THE SUPPLIED 1/4"-20 X 1 1/2" PIN IN TORX SCREWS AND
APPROPRIATE WALL ANCHORS (NOT SUPPLIED).

CAUTION: UNIT IS ONLY AS STRONG AS THE ANCHORING DEVICES AND
THE WALL ON WHICH IT IS MOUNTED TO.

ROUGH WALL OPENING: 5 1/4" X 16 1/4"

GUIDE SPECIFICATION: SECURITY RECESS SHELF.
EXPOSED MOUNT.
5" HIGH X 4" DEEP X 16" WIDE
FABRICATED FROM 16 GAUGE TYPE 304 STAINLESS STEEL.

Brey-Krause Mfg. reserves the right to
make changes in design and/or
material without formal notice and
without incurring any obligation.

**BREY-KRAUSE
MANUFACTURING**
© 2012

BREY-KRAUSE MANUFACTURING
1209 W. Lehigh Street, Bethlehem, PA 18018
Phone: 610-867-1401 Fax: 610-866-1433
www.brey-krause.com